

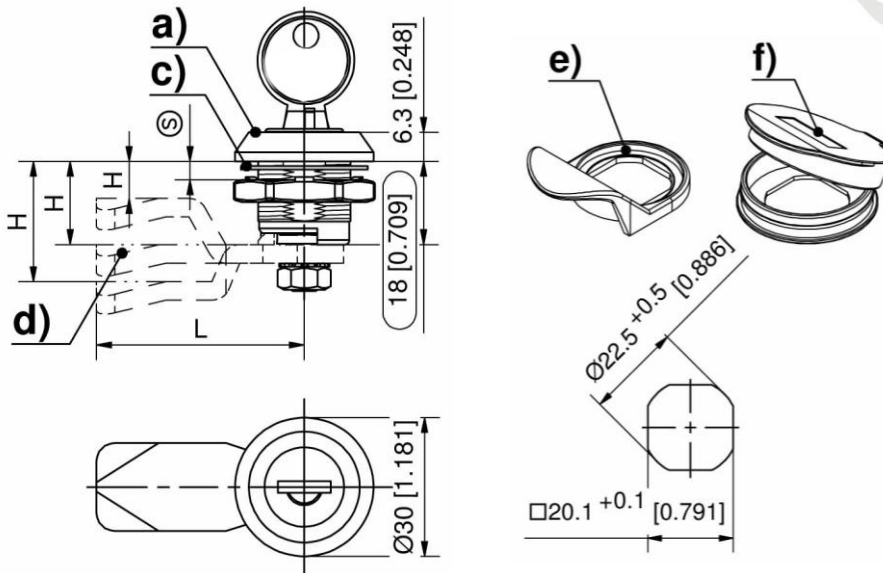
H084 Stainless Steel 316 Cylinder Lock Cam Latch

Features

- Suitable for both RH and LH applications
- Water and dust tight according to IP65 DIN EN 60529 only when used with dust cap **B270** (sold separately)
- For stability the cam is secured by a nut DIN 934
- Cam pawl sold separately (item “d”) in illustration)
- Flat external seal sold separately (item “c”) in illustration)

Material

- Housing, grounding nut, adapter, cylinder barrel, hexagon nut and wave washer: Stainless steel 316
- Cam pawl: Stainless steel 304



(a) Latch Body

Part No.	Housing Length	Key Type	Door Thickness
H084-C00-9232	18 mm	Keyed Alike	Max. 8 mm
H084-C00-9233		Keyed Differently	

(b) Cam Pawl

Part No.	L	H
H084-C00-0506	45	6
H084-C00-0508		8
H084-C00-0510		10
H084-C00-0514		14
H084-C00-0516		16
H084-C00-0518		18
H084-C00-0520		20
H084-C00-0522		22
H084-C00-0524		24
H084-C00-0526		26
H084-C00-0528		28
H084-C00-0532		32
H084-C00-0550		50
H084-C00-4535-20	35	20
H084-C00-4535-22		22

(c) Flat External Seal

Part No.
H084-C00-0901

(e) Finger Pull & (f) Dust Cap

Part No.
Contact Gripwell sales for assistance